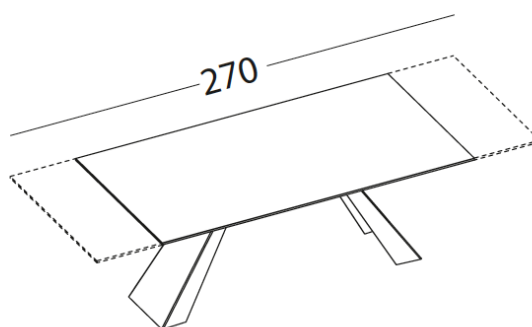
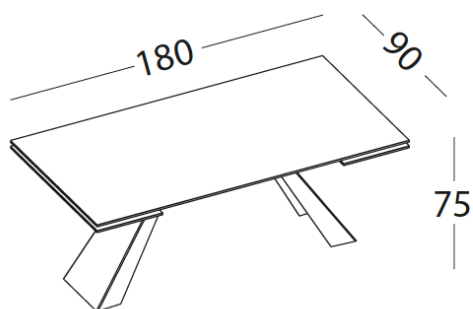


Tavolo allungabile con struttura in metallo laccato, piano e allunghe in vetro laccato o vetro oxide antigraffio effetto marmo sp. 1 cm.

Extending table with lacquered metal structure, top and extensions in lacquered glass or oxide glass, scratch-resistant marble effect th. 1 cm.



L 180 P 90 H 75 / 2 allunghe da 45x90
top in vetro / 2 extensions 45x90, glass top

6363 P 1780

L 180 P 90 H 75 / 2 allunghe da 45x90 top in
vetro oxide / 2 extensions 45x90, oxide glass top

6363 P 2217

Top in vetro / Glass top



BIANCO

ANTRACITE

Top vetro oxide / Oxide glass top



CALACATTA

MARQUINIA

Finiture basamento / Structure finishes



BIANCO

CORTEN

ANTRACITE